



D8 BLUEPOINT

D8 BluePoint increases safety and minimises the risk of accidents around machinery. It allows safety to be visual instead of relying solely on sirens and alarms. The D8 Bluepoint projects a light beam as a concentrated, visible square on the floor in front or behind the machine. This warning light is also available as a standard work light, allowing you to match your machine lighting for a unified design.

SUGGESTED APPLICATIONS

The D8 BluePoint is mainly used for material handling. However, it can be used across numerous other applications worldwide.



MATERIAL HANDLING



Note: the lens of the BluePoint is clear, the blue light is emitted from LEDs

TECHNICAL DATA

- Housing Material:** Cast Aluminium
- Mounting Options:** Hanging
Standing
- Lens Material:** Polycarbonate
- Temperature range:** -40 to +75 °C
- Connector:** Deutsch (DT04-2P) built in
- Weight:** 475 g / 1.05 lbs
- Light Patterns:** Spot



Overheating Protection



Over-voltage Protection



Polarity Protection

TEST STANDARDS



Salt Spray ASTM B117 500 h



Vibration 5-2000 Hz 3 Axis, 10 Grms



Shock Tested 50 G 11 ms



IP69K



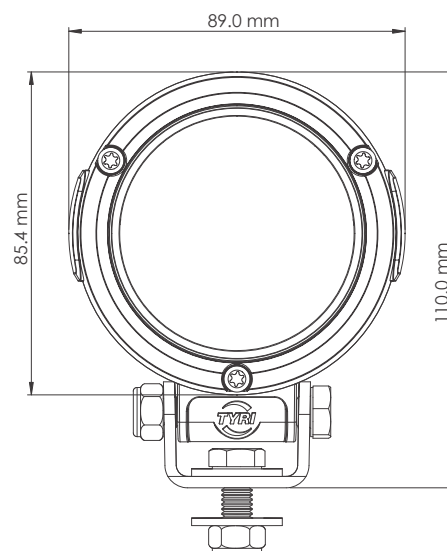
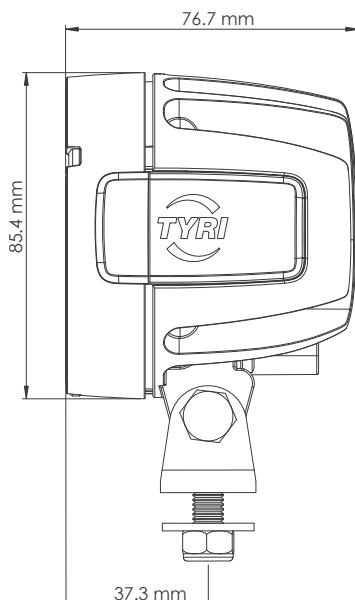
EN55025 / CISPR 25 Class 3
ISO 11452-2 / ISO 11452-4
ISO 16750-2 / ISO 10605
ISO 7637-2



UL Rated Optional

Consult website for additional lens & mounting options

TYRI's testing standards can be found at: www.tyrilights.com





D8 BLUEPOINT

LIGHT INTENSITY	VOLTAGE		AMP DRAW		POWER	DOMINANT WAVELENGTH TYPICAL	EMC
	Machine	Operating Range	12 V	24 V			
Candela	Machine	Operating Range	12 V	24 V	Watts	nm	EN55025 / CISPR25
20,000 cd	12-48 V	9-60 V	1.1 A	0.55 A	13 W	475 nm	3

IEC/SS-EN 62471 | RISK GROUP 2

CAUTION: Possibly hazardous optical radiation emitted from this product.
Do not stare at operating lamp. May be harmful to the eye.

It is important to remember, LED work lights are no more hazardous than other lighting technologies with the same correlated colour temperature (CCT).

TYRI complies with the IEC/SS-EN 62471 standard with the addition of the warning label on the product.