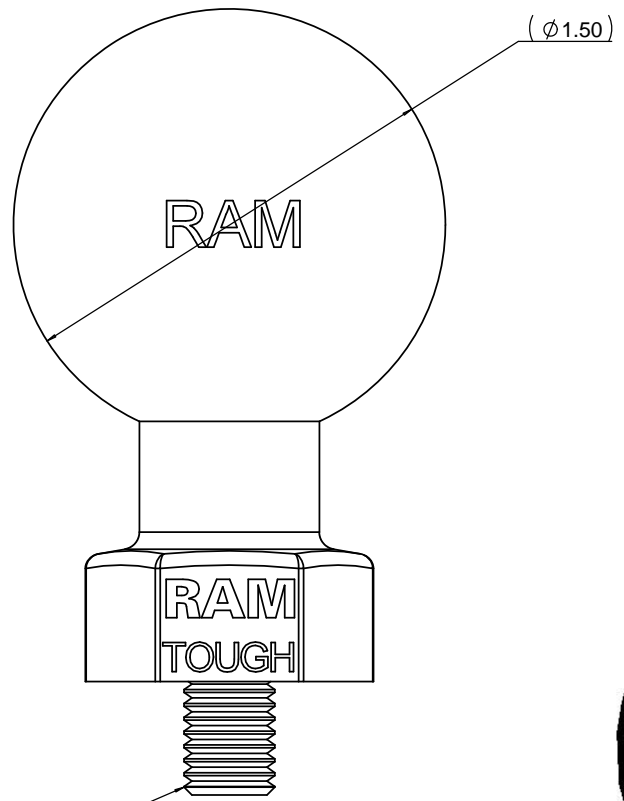
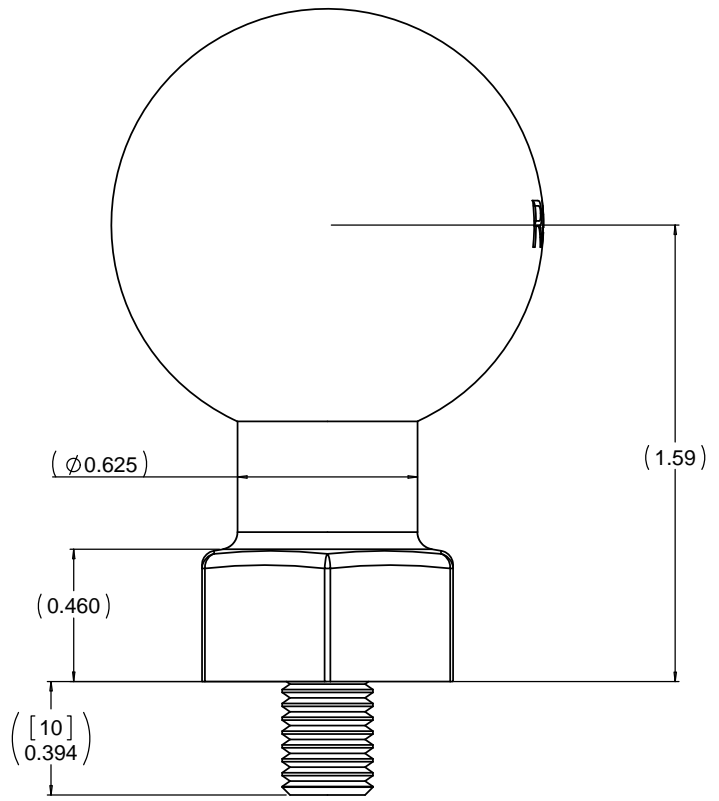
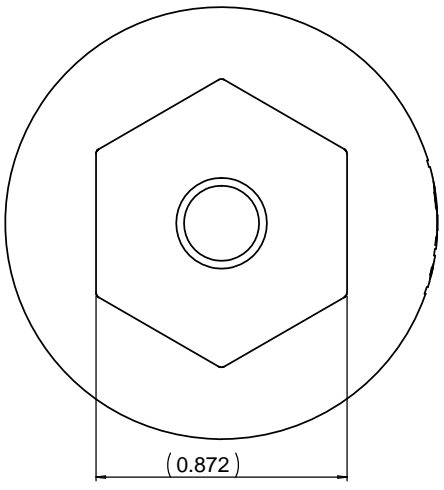


THE INFORMATION CONTAINED IN THIS DRAWING IS THE SOLE PROPERTY OF NATIONAL PRODUCTS INC. ANY REPRODUCTION IN PART OR WHOLE WITHOUT THE WRITTEN PERMISSION OF NATIONAL PRODUCTS INC. IS PROHIBITED.

REVISIONS		DATE	APPROVED
REV	DESCRIPTION		



M8 X 1.25 STAINLESS STEEL THREADS



UNLESS OTHERWISE SPECIFIED DIMENSIONS ARE IN INCHES FRACTIONS DECIMALS ANGLES + 1/32 XX + .06 + .1 DEG. XXX + .030	CAD GENERATED DRAWING. DO NOT MANUALLY UPDATE		NATIONAL PRODUCTS INC.	
	APPROVALS	DATE	RAM 1 1/2" DIA. RUBBER TOUGH BALL WITH M8-1.25 10MM LONG STUD	
DRAWN	JDC	07/20/16	MFG ENG	
CHECKED	CMR	07/20/16	REV	
MATERIAL	PLASTIC, RUBBER, STST	RESP ENG	SCALE 1 TO 1	
FINISH	BLACK	QUAL ENG	ISS	DATE
DO NOT SCALE DRAWING			C	07/20/16
				RAP-379U-M812510
				SHEET 1 OF 1