



D8

The D8 range stands out through elegance and enhances the design of forklift trucks, construction machines and tractors. Outstanding optical features to guarantee a homogeneous illumination of the work area. Provided with standard bracket.



SUGGESTED APPLICATIONS

The D8 is highly adaptable and can be used across numerous applications worldwide, including:



TECHNICAL DATA

- Housing Material:** Cast Aluminium
- Mounting Options:** Hanging, Standing
- Lens Material:** Polycarbonate
- Temperature range:** -40 to +85 °C
- Connector:** Deutsch (DT04-2P) built in
- Weight:** 475 g / 1.05 lb
- Light Patterns:** Symmetric, Narrow Symmetric, Wide Symmetric

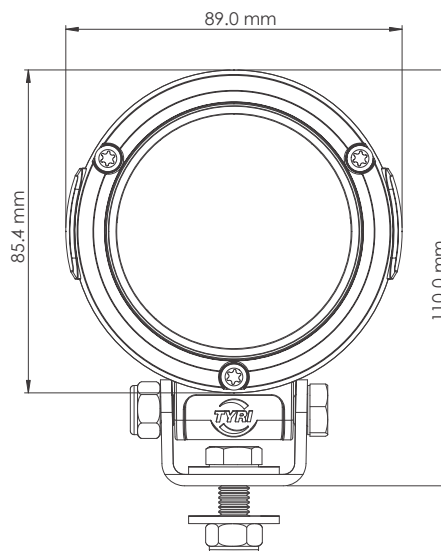
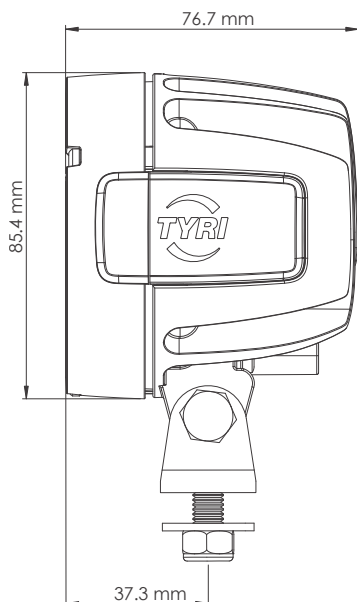
- Overheating Protection
- Over-voltage Protection
- Polarity Protection

TEST STANDARDS

- Salt Spray ASTM B117 500 h
- Vibration 5-2000 Hz 3 Axis, 8 Grms
- Shock Tested 50 G 11 ms
- IP69K
- EN55025 / CISPR 25 Class 5, ISO 11452-2 / ISO 11452-4, ISO 16750-2 / ISO 10605, ISO 7637-2

Consult website for additional lens & mounting options

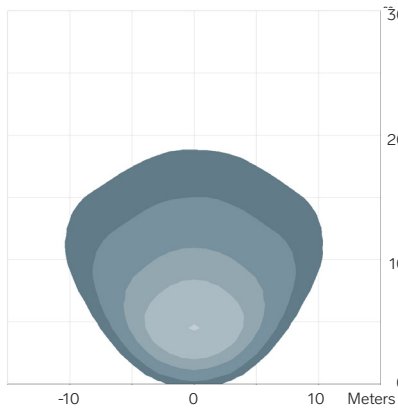
TYRI's testing standards can be found at: www.tyrilights.com



LIGHT OUTPUT	VOLTAGE		AMP DRAW		POWER	COLOUR TEMPERATURE	EMC	ECE
	Effective Lumen	Machine	Operating Range	12 V				
1200 lm	12-48 V	9-60 V	1.1 A	0.55 A	13 W	5700	3	
1400 lm	12 V	9-16 V	1.8 A		22 W	5700	5	R10
1400 lm	24 V	18-32 V		0.9 A	22 W	5700	5	R10
2500 lm	12 V	9-16 V	2.4 A		29 W	5700	5	
2500 lm	24 V	18-32 V		1.4 A	33 W	5000	5	

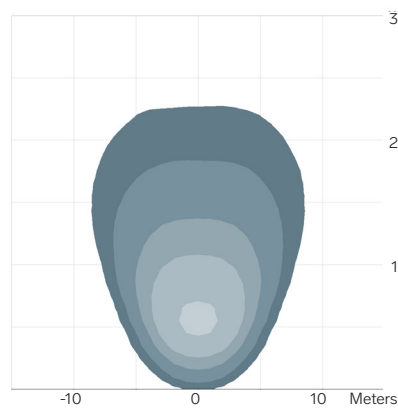
TYPICAL LIGHT PATTERNS

Example for D8 / 2500 effective lumen | For further light patterns visit www.tyrilights.com



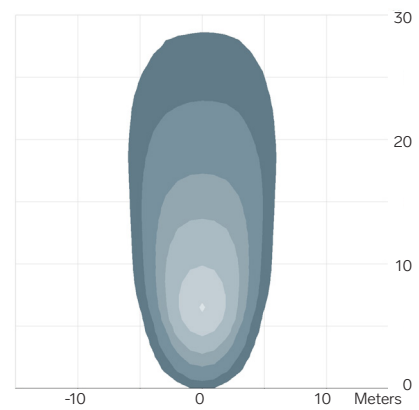
D8 / 2500 lm

Wide 45°
3.0 m / -15°
Symmetric



D8 / 2500 lm

Medium 31-45°
3.0 m / -15°
Symmetric



D8 / 2500 lm

Narrow 0-30°
3.0 m / -15°
Symmetric

